

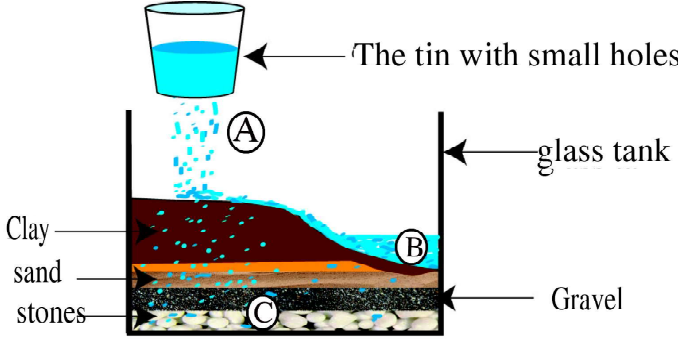
**තෙවන වාර පරීක්ෂණය - 6 ශ්‍රේණිය - 2019**  
**Third Term Test - Grade 6 - 2019**

**Name :** ..... **Science** **Time :** 02 hours

- ✦ Answer to all questions.
- ✦ Select and underline to the most suitable answer.

**Part I**

- (01) A characteristic that is common to all animals,
1. Unlimited growth.
  2. Being autotrophic.
  3. Absent of chlorophyll.
  4. Can show locomotion.
- (02) The process that can perform only by plants is,
1. Release of carbon dioxide by gaining Oxygen.
  2. Release of Oxygen by gaining Carbon dioxide.
  3. Produce of foods by using Oxygen.
  4. Produce of Oxygen by using foods.
- (03) Select the thing which occupying space,
1. Air
  2. Light
  3. Heat
  4. Sound
- (04) The correct order of A, B, and C in given figure is,



1. Surface water, Ground water, Precipitation.
  2. Precipitation, Ground water, Surface water.
  3. Precipitation, Surface water, Ground water
  4. Ground water, Precipitation, Surface water.
- (05) Based on salinity, less amount of salt dissolved in,
1. Muddy water.
  2. Marine water.
  3. Fresh water.
  4. Brackish water.
- (06) Not a natural sound,
1. Sound of birds
  2. Sound of a waterfall
  3. Sound of a horn
  4. Sound of wind

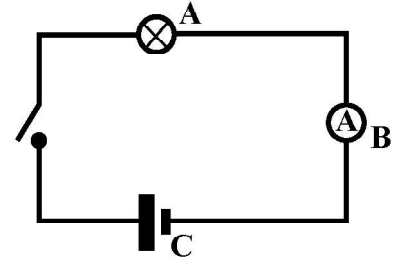


(17) Select the correct chemical cell type and example for it,

Chemical cell type	Example
1. Primary cell -	Dry cell
2. Primary cell -	Mobile phone battery
3. Secondary cell	Solar cell
4. Secondary cell -	Watch battery

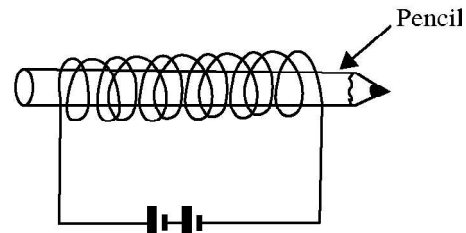
(18) Identify the symbols in the circuit shown as A, B, C in respectively,

1. Ammeter, Bulb, Dry cell.
2. Bulb, Ammeter, Dry cell.
3. Dry cell, Bulb, Ammeter
4. Bulb, Dry cell, Ammeter



(19) Given figure shows a thin wire winded around the pencil and connected to the cells. What is the expected observation,

1. Melting of the wire.
2. Heating of the wire.
3. Emitting light from the wire.
4. Increasing length of the coil.



(20) The instance of using heat energy generated due to rubbing,

1. Erase of letters by an eraser
2. Lighting of a match stick
3. Painting by a brush
4. Ironing of dresses

(21) Due to rising of the temperature of the Earth, it affected,

1. For melting of glaziers.
2. For flooding.
3. For land sliding.
4. For heavy rains.

(22) The knowledge about the expansion cannot be used,

1. To remove a tied metal lid from a bottle.
2. To fixing the rim of the wheel of a cart.
3. To fixing of rails.
4. To making an iron gate.

(23) Who are the organism produce foods to all the living beings on the Earth?

1. By green plants.
2. By small animals.
3. By suckers.
4. By man.

(24) Select the correct answer.

1. Food chain is created by inter connections of several food webs.
2. The second link of a food chain is always a carnivore.
3. The solar energy transferred through a food chain.
4. The producer of a food chain is always a carnivore.

(25) If an anemometer takes 4 minutes for 20 turns. what is the speed of the anemometer?

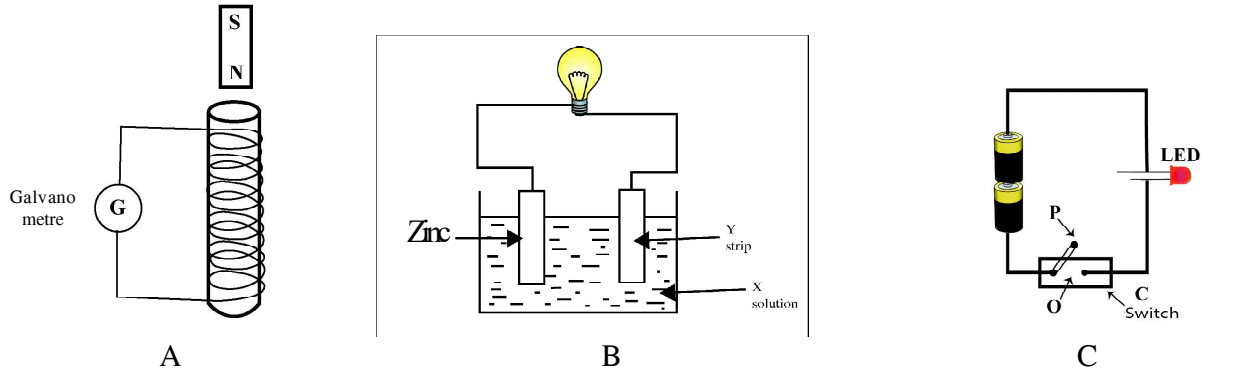
1.  $20/4$  turns per minute.
2.  $4/20$  turns per minute.
3.  $20/2$  turns per minute.
4.  $2/20$  turns per minute.

## Part II

Instructions:

- 1<sup>st</sup> question is compulsory.
- Answer 4 questions out of 6 questions.
- Use another sheet for write your answers.

(01) Given below are three set-ups prepared by three groups of students in grade 6. It is labeled as A B and C.



(A) Write expected observations related to the set-up A in the table given below.

	Activity	Observation in galvanometre
(i)	Allow to fall bar magnet through the plastic tube.	..... (1 Mark)
(ii)	Insert the magnet in to the tube and close the two ends with hands. Moving the tube backward and forward.	..... (1 Mark)

(B) Set up B shows a rough sketch of a simple cell.

- (i) Name X solution and Y strip respectively. (2 Marks)
- (ii) Write observation can be seen near at Zinc sheet and Y strip. (2 Marks)
- (iii) What is the observation of bulb after few minutes when it connected? (1 Mark)

(C) Set up C shows the circuit with two dry cells, one LED and a switch.

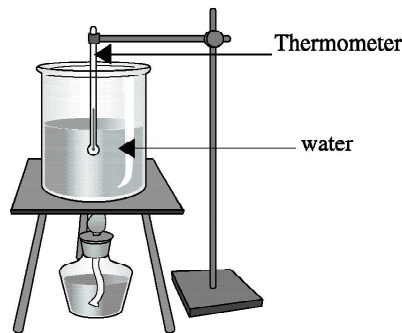
- (i) Draw a circuit diagram using standard symbols. (2 Marks)
- (ii) A switch connected to the circuit consist with O and P parts. Write two different physical properties can be seen in O and P respectively. (2 Marks)

(iii) Write a difference between a bulb and LED.

(1 Marks)

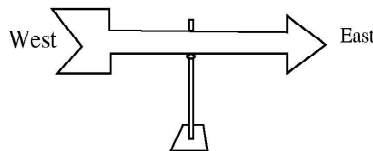
(12 Total marks)

(02) (A) Given below is a set up used in laboratory to observe increase of temperature.



- (i) What is the observation can be obtained in thermometer when sprit lamp place under the beaker. (1 Mark)
- (ii) What is the thermometer reading value when water started to boil. (2 Mark)
- (iii) Write the change the state of water while it boiled. (2 Marks)
- (iv) What is the type of energy can be transferred from sprit lamp to water in beaker. (1 Mark)
- (v) Write a place that liquid expansion occurred in the set up. (1 Mark)

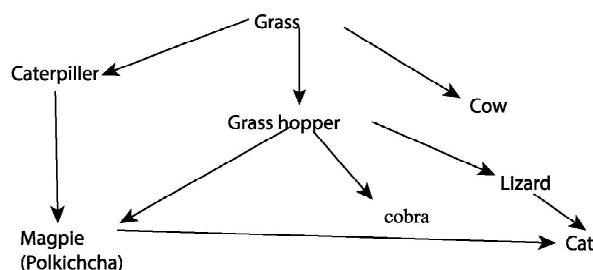
(B) Wind vane is used to find out the direction of the wind. Given below is an instance of a wind vane pointed to the direction as,



- (i) Find the direction of the wind blow in above instance. (1 Mark)
- (ii) If you have assigned to prepare a wind vane, write four raw materials required for it. (1 Mark)
- (iii) Somebody says a humidity can be reduced due to wind. What is known as humidity? (1 Mark)
- (iv) What is the natural disaster can be occurred due to pressure depression is created and the air around that place is blown at a very high speed towards the pressure depression. (1 Mark)

(12 Total marks)

(03) (A) Given below is a food web which a connection that can be seen within organisms for foods.



- (i) Name two herbivorous animals from the above food web. (2 Marks)
- (ii) Write a food chain with three links from the above food web. (2 Marks)
- (iii) Which group of organism can be affected directly, if caterpillars and grasshoppers removed from the environment. (2 Mark)
- (iv) Name the process of producing food in grass. (1 Mark)

(B) Given below is a part of a nature diary of grade 6 student.

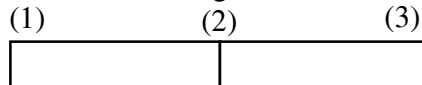
Date	Observation.
Monday	Colourless lime water turn into milky when bubbled the exhale air.
Tuesday	Whe touch the mimosa leaves, it shows sleeping movements.
Wednesday	Plotted long bean plant kept inside of the room bended towards the window.
Thursday	While younger brother is sleeping his chest and stomach move up and down.

- (i) Name the days he observes the movement of organisms. (1 Mark)
  - (ii) What is the conclusion of the observation on Monday? (1 Mark)
  - (iii) What is the characteristic of organism related to the observation on Thursday? (1 Mark)
  - (iv) Name two plants which shows sleeping movements at night. (2 Marks)
- (12 marks)

(04) (A) (i) Select the most suitable substances that can be used to produce electromagnet from the given list.

(Brass nail, Piece of iron, Copper wire, hacksaw blade, aluminum strip) (2 Marks)

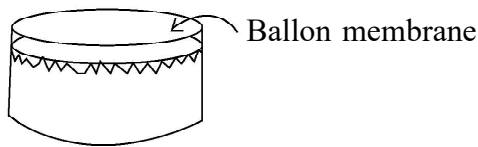
(ii) Given below is a rough sketch of a bar magnet.



- (a) What are the places which attract more pins given as 1, 2, and 3 when it places over the pins? (1 Mark)
- (b) What do you call above places? (1 Mark)
- (c) When this magnet bring closer to the compass, N end of the compass attracted to the the 3<sup>rd</sup> end of the magnet, Name (1) and (3) end of above magnet. (2 Marks)

(B) Given below are some sounds can be heard from the environment. (Sound of a guitar, Barking of dogs, Sounds of blowing wind, Sound of a tractor, Sound of a vehical horn)

- (i) Write two artificial sounds from above list. (2 Mark)
- (ii) Write an example for a music and a noise from above list. (1 Mark)
- (iii) Explain what is a noise. (1 Mark)
- (iv) Given below is an instrument made by using rubber membrane and a tin to produce sound.



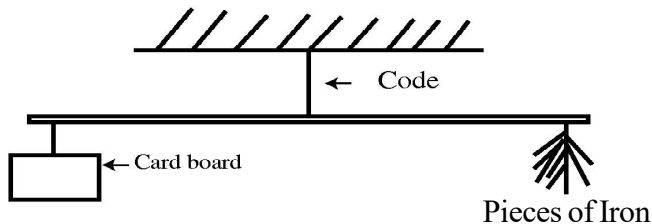
- (a) Write a change can be done in above instrument to change of its sound. (1 Mark)
- (b) Write a musical instrument produce sound similar to this instrument. (1 Mark)
- (12 Total marks)

(05) (A) Given below are energy sources that used to maintain the human life.

Sun, Fossil fuel, Bio mass, Wind, Energy of water

- (i) What is the main source of energy from above. (1 Mark)
- (ii) Write two examples for fossil fuel. (2 Marks)
- (iii) What is the source of energy that can be used to both purposes of drying clothes and removing unfilled rice grain from harvest. (1 Mark)
- (iv) Write two examples for bio masses used in your house . (2 Marks)

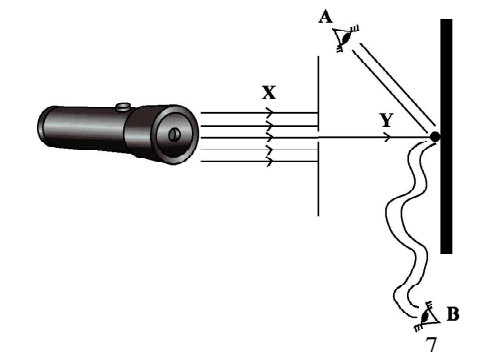
(B) Given below is a set up which created by a farmer to chase away animals from his field. It is made out of a rod hanged with piece of cardboard and pieces of iron to ends of the rod. It can move freely.



- (i) What is the type of energy used to operate the set up. (1 Mark)
- (ii) What is the type of energy produce by the set up. (1 Mark)
- (iii) Write two changes can be done in this set-up to work it more efficient. (1 Mark)
- (iv) Is this set up more suitable for paddy field or home garden. (2 Mark)

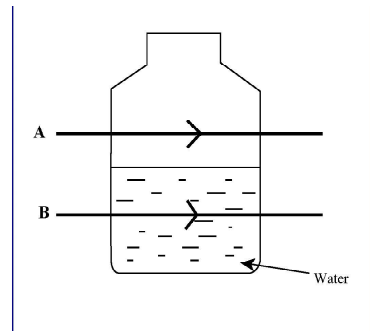
(12 Total marks)

(06) Diagram given below shows the way of a light obtain by a touch directed on to a wall through a thin hole in cardboard. The light spot observes through the straight tube and a curved tube.



- (i) In which eye can observe the light spot clearly from A and B? (1 Mark)
- (ii) What is the property of light can be used to observe it? (1 Mark)
- (iii) Write the energy source and energy type used in here. (2 Mark)
- (iv) Name (X) and (Y) respectively. (2 Marks)
- (v) Wall do not allow to pass light through it. What is the name of this property? (2 Marks)
- (vi) Object which emit light are known as luminous objects, Write two luminous objects. (2 Marks)
- (vii) Write two stratargies can be used to observe A and B light ray clearly. (2 Marks)

(12 Total marks)



(07) (A) Fill in the blanks using suitable words.

Things around us can be divided into two groups as matter and (i) ..... . Matter can be divided into three categories according to its shape and volume as (ii) ..... liquid and gases. The matter which hasn't definite volume and shape are known as (iii) .....

(3 Marks)

(B) Given below are some characteristics of solids (Brittleness, Elasticity, Ductility, malleability, hardness, and texture)

- (i) What is the property in a balloon. (1 Mark)
- (ii) What is known as malleability. (2 Mark)
- (iii) Write two substances with brittleness. (2 Mark)
- (iv) What is the name given for special property of substances which can be drawn into wires. (1 Mark)
- (v) Write a substance with smooth texture. (1 Mark)
- (vi) Write a characteristic which present in gas and not present in liquid. (1 Mark)
- (vii) What is the physical state of water. (1 Mark)

(12 Marks)







- (iii) Respiration  
(iv) Tamarind, Kathurumurunga, Thora... for 2 correct answer
- (1 Mark)  
(2 Marks)  
(12 Total marks)
- (04) (A) (i) Iron piece (2 Mark)  
(ii) At 1<sup>st</sup> and 3<sup>rd</sup> places (1 Mark)  
(a) Magnetic poles (1 Mark)  
(b) (1) North pole (3) South pole (2 Marks)
- (B) (i) Sound of a tractor, sound of vehicle horns, sound of guitar.. for 2 answers (2 Mark)  
(ii) Sound of guitar and selection of a noise (1 Mark)  
(iii) Unpleasant sounds to ears (1 Mark)  
(iv) (a) Stretched the membrane (1 Mark)  
(b) Drum/ Rabana...etc. (1 Mark)  
for an answer
- (12 total marks)
- (05) (A) (i) Sun (1 Mark)  
(ii) Coal, Petrol, Diesel for 2 answers (2 Marks)  
(iii) Wind (1 Mark)  
(iv) Fire wood, Coconut shells..etc for 2 answers (2 Marks)
- (B) (i) Wind (1 Mark)  
(ii) Sound (1 Mark)  
(iii) Increase number of iron parts, widening the carboard pieces (2 Marks)  
(iv) To paddy field (2 Mark)
- (12 Total marks)
- (06) (i) A to eye (1 Mark)  
(ii) Travels in a straight path (1 Mark)  
(iii) Torch, Light energy (2 Mark)  
(iv) Beam, Rays (2 Marks)  
(v) Opaque (2 Marks)  
(vi) Lighted bulbs, lamp...etc. 2 answers (2 Mark)  
(vii) A - Filling of smoke B - Soap dissolved water (2 Marks)
- (12 Total marks)
- (07) (A) (i) Energy (1 Mark)  
(ii) Solid (1 Mark)  
(iii) Gas (1 Mark)
- (B) (i) Elastic nature (1 Mark)  
(ii) Can be hammered (2 Mark)  
(iii) Brick, Coal, Chalk piece...ect. For 2 answers (2 Marks)  
(iv) Ductility (1 Mark)  
(v) Flour, clay (1 Mark)  
(vi) Spread in space (1 Mark)  
(vii) Liquid (1 Mark)
- (12 Total marks)



තෙවන වාර පරීක්ෂණය - 6 ශ්‍රේණිය - 2019

Third Term Test - Grade 6 - 2019

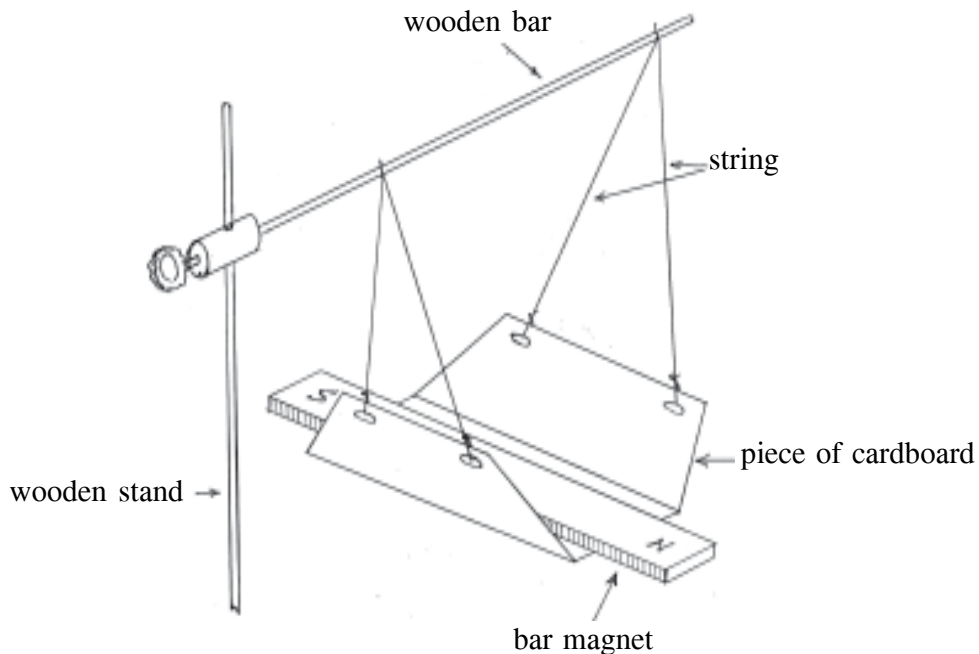
Science Practical Activity No - 01

**Materials needed:-**

- | Two permanent magnets (Where the poles marked as N and S)
- | Iron fillings
- | White A4 sheet
- | A rigifoam board with a groove to insert the magnet
- | A wooden support
- | Threads
- | A piece of card board
- | A wooden bar

**Instructions for Teachers:-**

- | Provide the given materials
- | Place them on the work stations
- | Provide the students with instruction sheets and allow them to engage in the activity
- | Help students to hang the magnet as shown in the diagram.



1 Assign marks according to the given criteria

**Criteria for marking**

- (i) Follows correct experimental procedures. (3 marks)
  - (ii) Completes the table properly (3 marks)
  - (iii) Demonstrates the magnetic field using iron fillings (3 marks)
  - (iv) Writes two names of magnets and draw them correctly (3 marks)
  - (v) Cleans the work station properly (3 marks)
- 15 marks

**Activity Sheet for students**

- 1 Identify the south and North pole of the magnet provided.
- 1 Hang one of the magnets with the help of your teacher.
- 1 Do the following activities and record your observations in the table given.

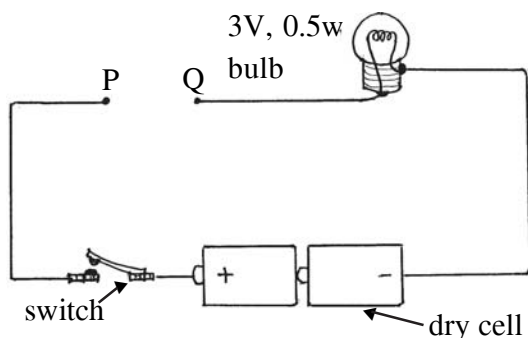
Activity	Observation
(i) Bring the north poles of the two magnets close to each other.	.....
(ii) Bring the south pole of a magnet close to the north pole of the magnet which is hung	.....

- 1 Take the rigifoam board provided to you and insert the magnet into the groove.
- 1 Place the white A4 on it and spread the iron fillings.
- 1 Slowly tap on it and observe the pattern of the iron fillings.
- 1 Show the pattern of the iron fillings to your teacher.
- 1 Draw and write the names of two types of other magnets instead bar magnets.

**Practical Activity No - 02**

**Materials needed:-**

- 1 A simple circuit as shown in the following figure.



- 1 Three types of electrical conductors eg:- An iron nail
- 1 Three types of electrical insulators eg:- A clip of a pen

**Instructions for teachers:-**

1. Arrange the circuit on the work station.
2. Keep the set of electrical conductors and the insulators on the work station.
3. Give instructions for the students to engage in the activity.

**Activity sheet for students:-**

1. With the help of the given circuit, identify the materials which conduct electricity and which do not conduct electricity separately.
2. Fill the following table according to your observations.

Electrical Conductors	Electrical insulators.

Draw the circuit provided to you using circuit symbols.

**Criteria for marking:-**

- |   |                 |
|---|-----------------|
| 1. Uses the circuit appropriately                           | (03 marks)      |
| 2. Completes the table                                      | (03 marks)      |
| 3. Maintains the work station properly                      | (03 marks)      |
| 4. States the electrical conductors and insulators properly | (03 marks)      |
| 5. Draws the circuit diagram properly                       | (03 marks)      |
|   | <u>15 marks</u> |
|   | <u>      </u>   |